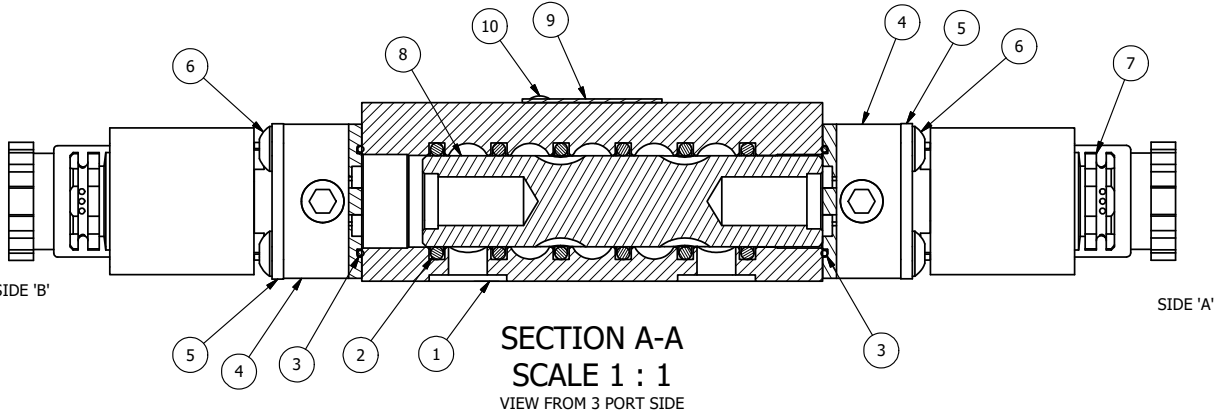
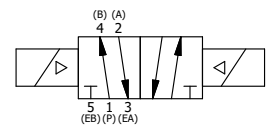


ALIGN PILOT AND SLOT IN ADAPTOR
WITH GASKET IN BETWEEN, BOTH SIDES
FOR EXTERNAL PILOT OPERATION - ROTATE ADAPTOR
180 DEGREES. REMOVE 1/8" NPTF PLUG AND
SUPPLY 50-150 PSI TO 1/8" NPTF PILOT PORT IN ADAPTOR.



NOTES:
1) ALWAYS GIVE VALVE MODEL AND PART NUMBER WHEN ORDERING PARTS.



| | | | |
|-----|-----|---------|---|
| 11 | 1 | SPK-3 | KIT - SUBPLATE MOUNTING, 3/8" SUBPLATE VALVES |
| 10 | 2 | V-212 | SCREW, #2 X 3/16 DRIVE, TYPE U, OVAL HEAD, STAINLESS STEEL |
| 9 | 1 | AN-115 | NAMEPLATE, BLANK, FOR HE,KE,KD,RR,D,CR,PP,SR,SS VALVES |
| 8 | 1 | S3R | SPOOL - SOLID, STANDARD, 2 POS, CLSD CTR, 1/4" & 3/8" VALVE |
| 7 | 2 | V-562 | NUT, SOLENOID, SIDE EXHAUST |
| 6 | 8 | V-584 | SCREW, 10-24 X 1, BUTTON HEAD SOCKET CAP WITH MICROSPHERE APPLIED TO THREADS. |
| 5 | 2 | SEC3-7 | PLATE, RE-INFORCEMENT, SOLENOID, STAMPED, 304 STAINLESS |
| 4 | 2 | V-564 | SYSTEM 8 INTRINSICALLY SAFE SOLENOID OPERATOR. |
| 3 | 2 | EMG3 | GASKET - END MOUNT SOLENOID, BUNA-N, 1/4" & 3/8" VALVES |
| 2 | 6 | V-39 | O-RING, VITON, STD BODY, 1/4" & 3/8" VALVES |
| 1 | 1 | BP3-1E | BODY - SOLID, BUTTON BLEEDER, ANODIZED, 3/8" SUBPLATE VALVE |
| FLG | QTY | PART NO | DESCRIPTION |

| | | | | |
|---|-----------------|--|-----------------------------------|--|
| LIMITS ON DIMENSIONS UNLESS OTHERWISE SPECIFIED | | 2-PL DECIMAL ± .01 3-PL DECIMAL ± .005 FRACTIONAL ± 1/64 ANGULAR ± 1/2° | | AAA PRODUCTS INTERNATIONAL 7114 Harry Hines Blvd Dallas, TX 75235 |
| DRAWN: RMckenna | DATE: 3/24/2016 | CHECKED: KWaite | DATE: 3/24/2016 | |
| SCALE: 1 : 1 | SHEET: 1 OF 1 | RELEASED: HWomack | DATE: 3/24/2016 | |
| TITLE: 3/8" SUBPLATE, DBL SOL, 2 POS, FRICTION POS, SOL RTRN, INTR SAFE, 24VDC, SIDE VENT | | | PART NO.: ESS3PAC 24VDC | REV.: |

THE INFORMATION CONTAINED WITHIN THIS DOCUMENT IS PROPRIETARY TO AAA PRODUCTS AND MAY NOT BE DISCLOSED WITHOUT PRIOR WRITTEN CONSENT